

cimPRESS™

Strainer

Suitable for non-aggressive fluid applications including residential, industrial, and agricultural.

For use with hard drawn copper and/or stainless steel pipe. Manufactured in accordance with MSS-SP-110, PS117-2004, and EN ISO 9001 standards.

Features:

The Cim 74NL features press x press connections and a 18/8 ANSI302 stainless steel strainer screen designed to collect impurities such as sand, dirt, rust, and metal shavings to safeguard pipes and valves from mechanical damage and deposits. They are manufactured from DZR "CR" corrosion-resistant, no-lead brass with a working pressure up to 290 PSI, and a 212° F temperature rating.

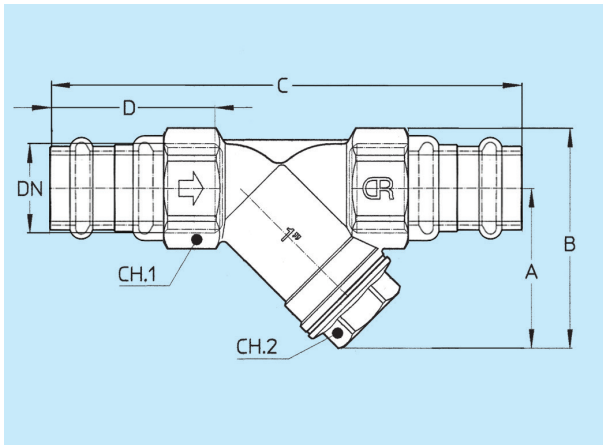
- Compatible with Standard Press Tools
- Press x Press Connections
- Compact Design
- Water-Tight Seal
- Easy Installation
- Corrosion-Resistant

Size	Cim No.
½"	74PRSNL-04
¾"	74PRSNL-06
1"	74PRSNL-07
1¼"	74PRSNL-08
1½"	74PRSNL-09
2"	74PRSNL-10

Based on NSF/ANSI 61-2008 Annex G in compliance with Section 116875 of the California Health & Safety Code.

All Cimberio valves qualify for the American Recovery and Reinvestment Act and the Buy American Act.

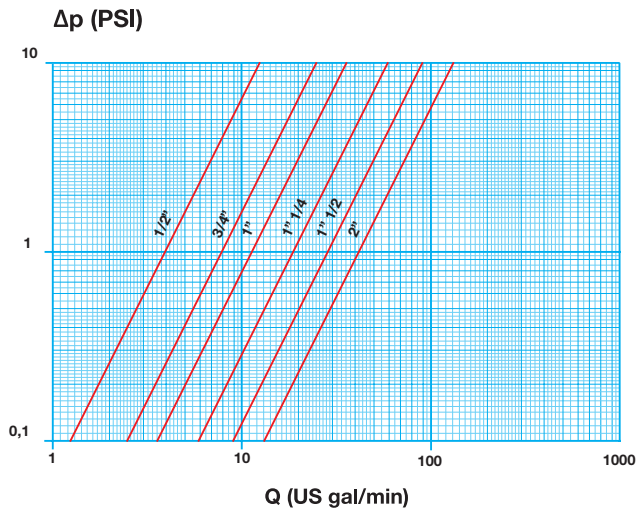
74PRSNL IS NOT INTENDED FOR USE WITH SOFT OR ROLLED COPPER PIPE



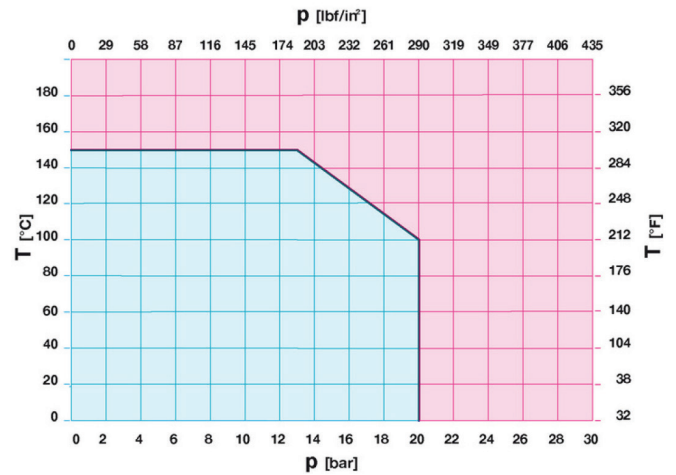
DIMENSIONS

Size	½"	¾"	1"	1¼"	1½"	2"
A	1 ¹ / ₁₆ " 39mm	1 ¹⁵ / ₁₆ " 50mm	2 ⁵ / ₁₆ " 59mm	2 ³ / ₄ " 70mm	3 ³ / ₁₆ " 81mm	3 ⁷ / ₈ " 99mm
B	2 ¹ / ₈ " 54mm	2 ¹ / ₁₆ " 68mm	3 ¹ / ₄ " 82mm	3 ¹ / ₁₆ " 99mm	4 ⁵ / ₁₆ " 112mm	5 ¹ / ₁₆ " 139mm
C	6 ¹ / ₁₆ " 170mm	7" 179mm	7 ⁹ / ₁₆ " 193mm	8 ¹ / ₄ " 210mm	8 ⁷ / ₁₆ " 218mm	9 ⁹ / ₁₆ " 245mm
D	2 ⁵ / ₁₆ " 66mm	2 ⁵ / ₈ " 67mm	2 ³ / ₄ " 70mm	2 ¹ / ₁₆ " 72mm	2 ¹ / ₁₆ " 72mm	3" 77mm
CH1	1 ¹ / ₈ " 28mm	1 ⁵ / ₁₆ " 33mm	1 ¹ / ₁₆ " 40mm	2" 51mm	2 ¹ / ₄ " 56mm	2 ¹ / ₁₆ " 71mm
CH2	¾" 18mm	7 ⁸ / ₁₆ " 22mm	1 ¹ / ₈ " 29mm	1 ³ / ₁₆ " 34mm	1 ¹ / ₁₆ " 39mm	2 ³ / ₁₆ " 25mm
Pounds	0.46	0.69	1	1.68	2.15	4.02
Grams	210	315	455	460	975	1825

FLOW AND PRESSURE DROP



PRESSURE/TEMPERATURE RATINGS



CV

CV: Capacity in "US gal/min" at pressure drop of "1 PSI"

Element: Water - Temperature: 59.9° F

Working Pressure: 290 PSI

Max. Operating Temp: Working Limit for Fluids: 14° F - 212° F

Saturated Steam: 54 PSI at 302° F

Test Pressure: According to ISO 5208

Size	½"	¾"	1"	1¼"	1½"	2"
CV	3.9	8.1	11.6	18.5	27.8	40.5

Job Name: _____

Tag: _____

Job #: _____

Date: _____

Contractor: _____

Contractor #: _____

Engineer: _____

Specification #: _____