



Tankless Water Heater Valve Kit

Suitable for tankless water heaters.

Manufactured in accordance with MSS-SP-110, PS117-2004, and EN ISO 9001 standards.

Features:

The Cim 462NL includes one inlet and one outlet combination ball valve/union/drain and one pressure relief valve. They are manufactured from DZR “CR” corrosion-resistant, no-lead brass with a working pressure up to 600 PSI, and a 230° F temperature rating. Cim 462NL uses FIPT x press connections.

- Combines the Functions of up to 10 Fittings
- 1/4 Turn Ball Valves
- Includes Pressure Relief Valve
- Color Coded Handles
- Compact Design
- Easy Installation
- Corrosion-Resistant

Size	Cim No.
3/4"	462NL-06-Kit

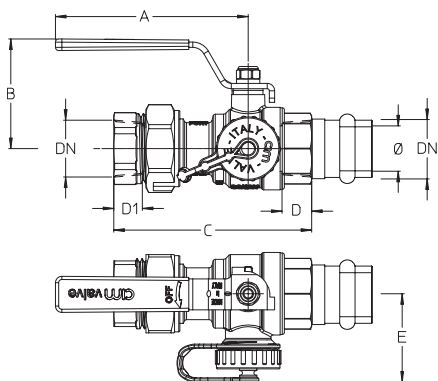
Based on NSF/ANSI 61-2008 Annex G in compliance with Section 116875 of the California Health & Safety Code.

All Cimberio valves qualify for the American Recovery and Reinvestment Act and the Buy American Act.

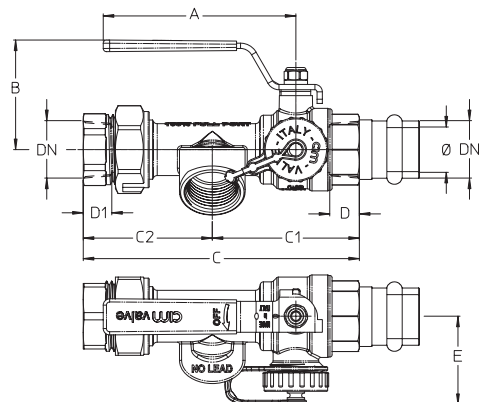
cim Tankless Water Heater Valve Kit

cim462NL

DIMENSIONS



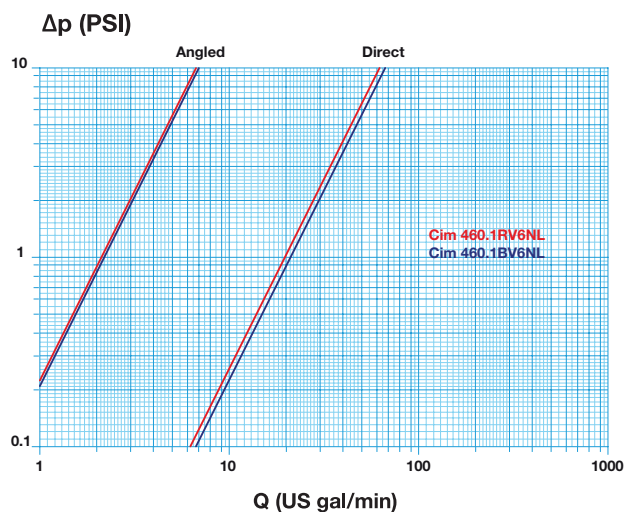
462.1BV6NL



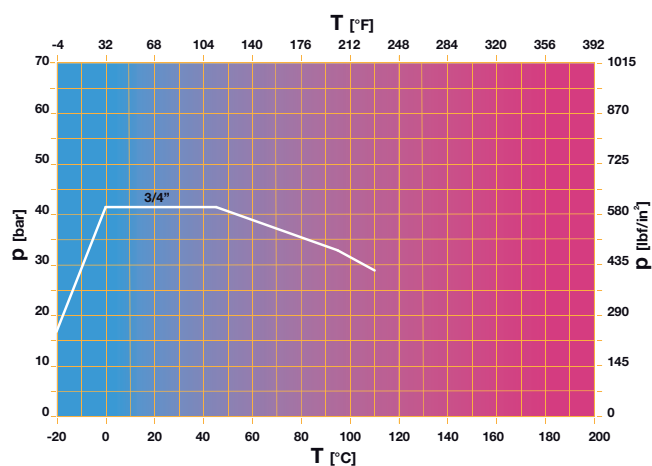
462.1RV6NL

	462.1BV6NL	462.1RV6NL
A	2 3/4" 70mm	2 3/4" 70mm
B	2 1/16" 52mm	2 1/16" 52mm
C	3 1/16" 94mm	5" 131mm
C1	-	2 3/4" 70mm
C2	-	2 3/4" 61mm
D1	5/8" 15mm	5/8" 15mm
D2	3/4" 19mm	3/4" 19mm
Pounds	0.98	1.04
Grams	443	470

FLOW AND PRESSURE DROP



PRESSURE/TEMPERATURE RATINGS



CV - CM - CS - MT

CV: Capacity in "US gal/min" at pressure drop of "1 PSI"

CM: Working Torque in "lb x in"

CS: Starting Torque in "lb x in"

MT: Torque Breaking Point on the Stem in "lb x in"

Element: Water - Temperature: 59.9° F

Working Pressure: 600 PSI

Max. Operating Temp: Working Limit for Fluids: -4° F - 230° F

Test Pressure: According to ISO 5208

	CV Straight	CV Angle	CM	CS	MT
462.1BV6NL	21	2.2	17.7	35.4	221.3
462.1RV6NL	19.8	2.1	17.7	35.4	221.3

Job Name: _____

Job #: _____

Contractor: _____

Engineer: _____

Tag: _____

Date: _____

Contractor #: _____

Specification #: _____