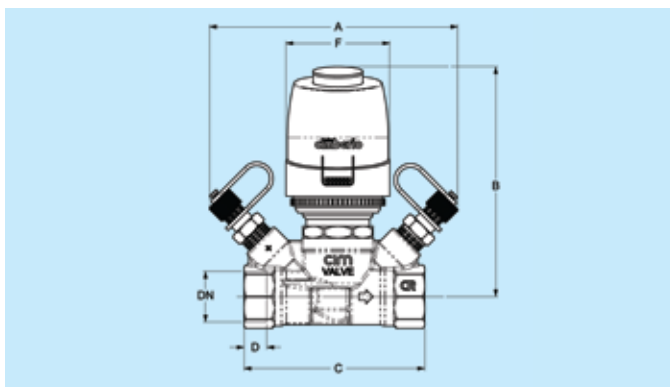
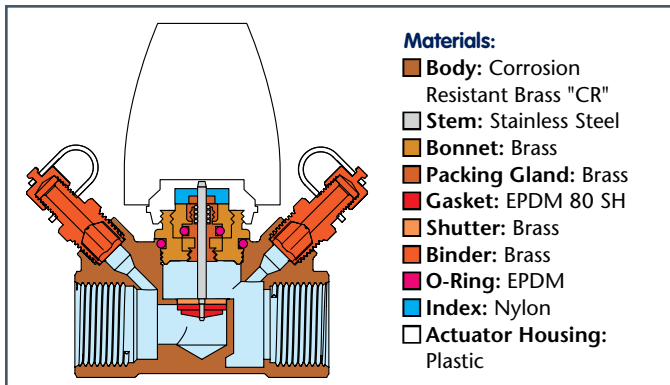


Actuated Balancing Valve

cim788.1

NC: Normally Closed • NO: Normally Open • PRO: Modulating - FIPT x FIPT



Size	1/2"	3/4"	1"
A	4-3/16" 106mm	4-3/16" 107mm	4-3/16" 107mm
B	3-7/8" 98mm	3-15/16" 100mm	4" 102mm
C	2-15/16" 75mm	3-1/8" 80mm	3-7/16" 87mm
D	5/8" 16mm	3/4" 19mm	13/16" 21mm
F	3/16" 45mm	3/16" 45mm	3/16" 45mm
Pounds	0.98	1.12	1.31
Grams	446	507	592

Applications:

The CIM 788.1 is a pre-set balancing valve with thermoelectric actuator for opening and closing of the valve on heating circuit distributors on floor heating systems (NC, NO) and building management systems (PRO). The CIM 788.1 balancing valve is manufactured of corrosion-resistant brass in accordance with EN ISO 9001 and is available in valve sizes from 1/2" through 1". It is suitable for both heating (LPHW) and cooling applications at working pressures up to 290 PSI.

The CIM 788.1 is available in 3 models:

Cim788NC.1, normally closed (110V or 24V)

Cim788NO.1, normally opened (110V or 24V)

Cim788PRO.1, normally closed with internal electronic unit for proportional control of valves used in building management systems (0–10VDC control voltage)

Features:

- EPDM lined valve plug provides increased control and tight shut-off for isolation purposes
- Compact size, small dimensions
- All around functional indicator
- Easy actuator snap-on installation
- Low power consumption
- 360° installation actuator position
- Over voltage protection
- Cim788PRO.1 is self-calibrating with first-open function, closing point detection, and proportional actuating travel

Threading:

NPT threads ANSI B1.20.1.

Size	Fast Order No.
1/2"	788(NC, NO, or PRO)-04
3/4"	788 (NC, NO, or PRO)-06
1"	788 (NC, NO, or PRO)-07

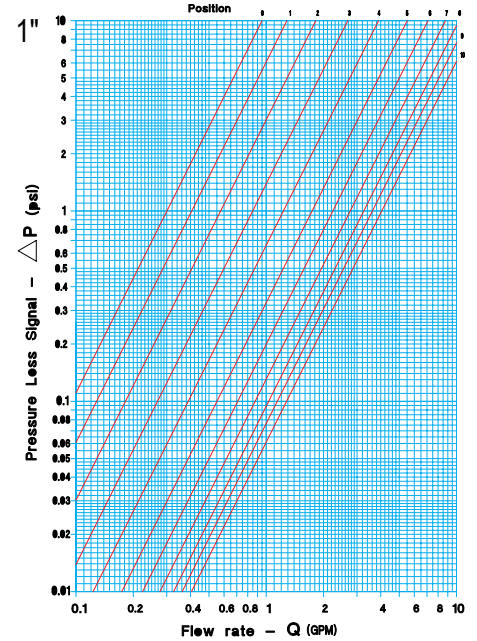
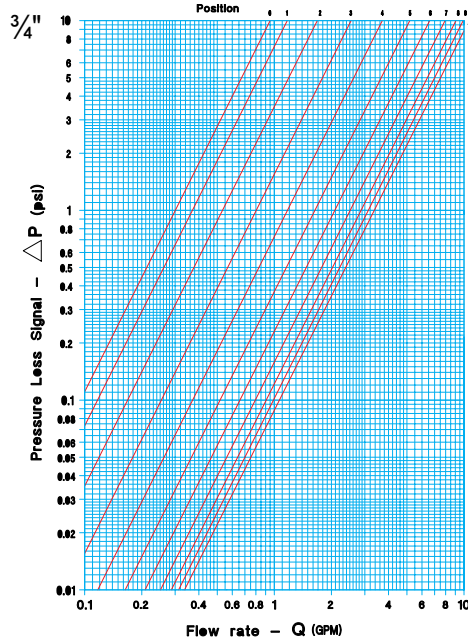
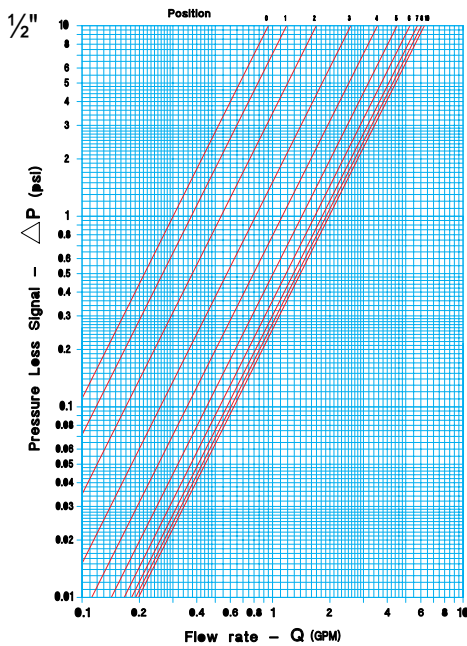
All Cimberio valves qualify for the American Recovery and Reinvestment Act and the Buy American Act.

Actuated Balancing Valve

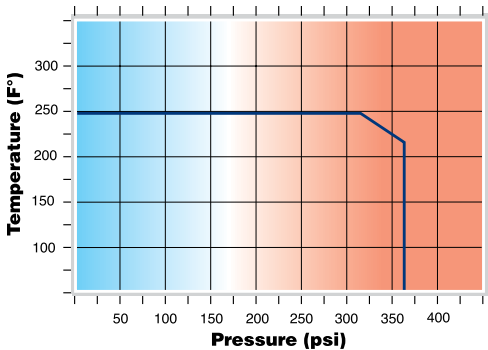
cim788.1

NC: Normally Closed • NO: Normally Open • PRO: Modulating - FIPT x FIPT

PRESSURE SIGNAL



PRESSURE/TEMPERATURE RATINGS



Working Pressure:
290 PSI

Maximum Operating Temperature:
Working Limit for Fluids
14° F – 248° F

Test Pressures:
According to ISO 5208

CV

CV: Capacity in "U.S. gal/min" at pressure drop of "1 PSI"
Element: Water - Temperature: 59.9° F

788.1 SIZE	1/2"	3/4"	1"
CV	0.41 – 2.0	0.41 – 3.5	0.41 – 4.1

	788NC.1	788NO.1
Voltage	24V, 50/60 Hz	24V, 50/60 Hz
Operating Power	1.8 W	1.8 W
Degree	IP 54	IP 54
Actuator Travel	3/16"	3/16"
Actuating Force	100N ±5%	100N ±5%
Connecting Cable	2x0, 75mm ² PVC, Grey	2x0, 75mm ² PVC, Grey
Cable Length	39-3/8"	39-3/8"
Housing Color	Grey	Grey
Adapter	VA80	VA50

	788PRO.1
Voltage	24V -10% until +20%, 50/60 Hz
Control Voltage	0–10 V DC
Operating Power	1.8 W
Input Resistance	100 kOhm
Degree	IP 54
Stroke	4.5 mm
Actuating Force	100N ±5%
Activation Current	<250 mA for max. 2 min.
Average Actuating Speed	30 s/mm
Cable (plug-in connector)	3x0.22mm ²
Cable Length	39-3/8"
Housing Color	White
Adapter	VA50