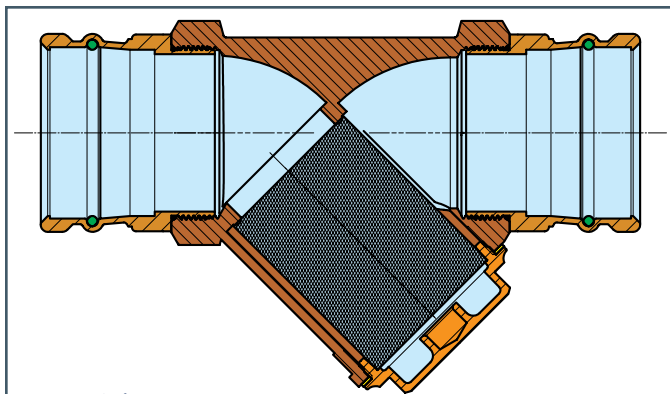
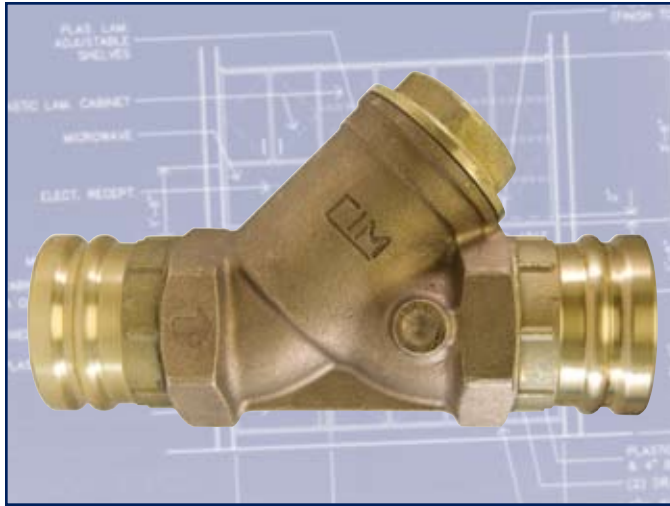


cimPRESS XLB “Y” Strainer

cim 74XLB.1

CimPRESS x CimPRESS



Materials:

- **Body:** Corrosion Resistant Cast Nondezincifiable Brass “CR”
- **Adaptor:** Hot Forged Brass C37700
- **Bonnet:** Hot Forged Brass C37700
- **Strainer Screen:** 18/8 ANSI302 Stainless Steel
- **Gasket:** NA 1100 (Asbestos Free) Maximum Temperature of 842° F
- **O-Ring:** EPDM - ASTM D 2000 M2

All Cimberio valves qualify for the American Recovery and Reinvestment Act and the Buy American Act.

Applications:

The CIM 74XLB.1 CimPRESS Y Strainer is manufactured in accordance with MSS-SP-110, PS117-2004, and EN ISO 9001 standards and designed for direct connection to hard drawn copper and/or stainless steel tube using standard press tools with XL press jaws and rings. The CIM 74XLB.1 is suitable for use with non-aggressive fluid applications including residential, industrial, and agricultural systems. (CimPRESS is not intended for use with soft or rolled copper tubing)

Features:

The CIM 74XLB.1 Y strainer is built from cast corrosion resistant brass “CR” EN 1982-CC7525, with an 18/8 ANSI302 stainless steel strainer screen designed to collect impurities such as sand, rust, and metal shavings to safeguard pipes and valves from mechanical damage and deposits.

CimPRESS valves were developed as purpose built valves for standard press attachment to eliminate the need to assemble separate components in the field, which could result in weak/leak points and increased material and labor costs. The CIM 74XLB.1 is manufactured from corrosion-resistant brass with EPDM-ASTM D 2000 M2 O-Rings to ensure a leak proof cold crimped seal with added protection against corrosion.

CimPRESS valves eliminate the torch and the need to clean, flux and solder in order to create a permanent watertight valve connection, significantly reducing average installation time while avoiding potential fire risks and other problems associated with sweat connections; saving time and money.

Connection:

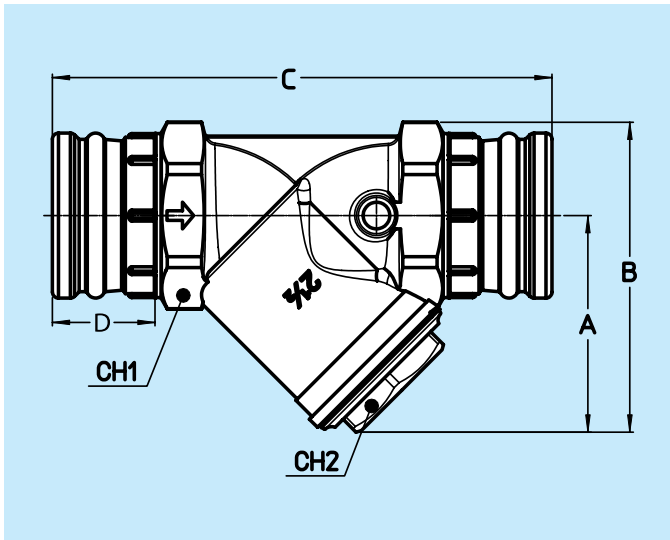
Standard press connection for copper and stainless steel tube plumbing systems. *For use with XL press jaws and rings only.*

Size	Fast Order No.	Technical ID No.
2-1/2"	74XLB-11	CIM74AXLB-E11-ST
3"	74XLB-12	CIM74AXLB-E12-ST
4"	74XLB-14	CIM74AXLB-E14-ST

cimPRESS XLB "Y" Strainer

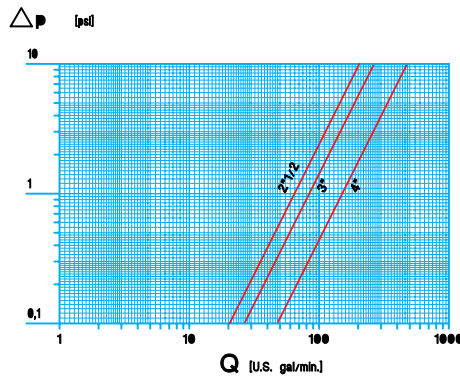
cim 74XLB.1

CimPRESS x CimPRESS

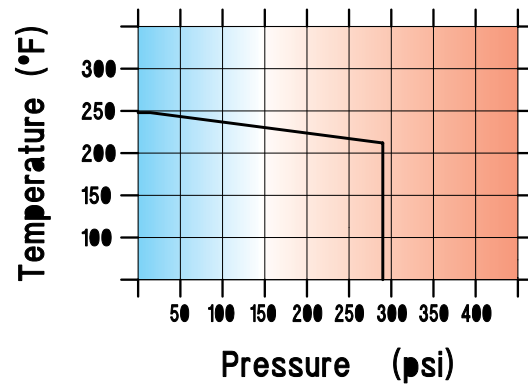


Size	2-1/2"	3"	4"
A	4-1/2" 115mm	5-3/8" 136mm	6-9/16" 167mm
B	6-7/16" 163mm	7-11/16" 195mm	9-7/16" 240mm
C	10-3/4" 273mm	11-7/8" 301mm	13-3/4" 349mm
D	2-3/16" 55mm	2-3/16" 55mm	2-3/8" 60mm
CH1	3-7/16" 88mm	4" 102mm	5-1/16" 129mm
CH2	2-9/16" 65mm	2-15/16" 75mm	3-7/8" 85mm
Pounds	8.79	13.45	21.64
Grams	3985	6095	9815
Required Pipe Insertion Depth	2.1720" 55.16mm	2.1675" 55.06mm	2.3670" 60.12mm

FLOW AND PRESSURE DROP



PRESSURE/TEMPERATURE RATINGS



CV

CV: Capacity in "U.S. gal/min" at pressure drop of "1 PSI"

Element: Water - Temperature: 59.9° F

74XLB.1 SIZE	2-1/2"	3"	4"
CV	65	84	151

Working Pressure: 290 PSI

Max. Operating Temperature: Working Limit for Fluids 14° F – 212° F

Saturated Steam: 54 PSI at 302° F

Test Pressures: According to ISO 5208