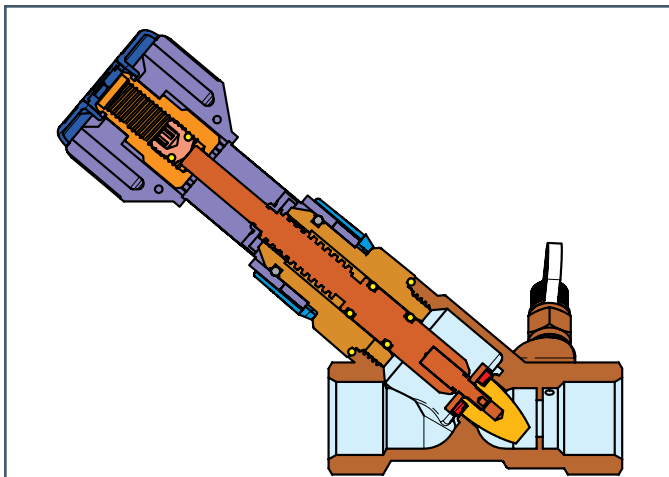


Balancing Valve

cim747.1

Fixed Orifice with Integral Test Points in CRM - FIPT x FIPT



Materials:

- **Body:** Corrosion Resistant Brass "CR"
- **Bonnet:** CW617N Brass
- **Gasket Support:** CW617N Brass
- **Gasket:** EPDM 80 SH
- **Stem and Metal Components:** CW617N Brass
- **Shutter:** CW617N Brass
- **O-Ring:** HNBR
- **Index:** Hostaform
- **Handle:** Nylon
- **Pin:** Steel
- **Entrainer:** CW617N Brass
- **Memory:** CW617N Brass
- **Cap:** Hostaform

Applications:

The CIM 747.1 balancing valve is manufactured in accordance with EN ISO 9001 and is designed to provide high accuracy flow balancing and measurement across all valve settings. The CIM 747.1 balancing valve is available in valve sizes from 1/2" through 2" and is manufactured of corrosion resistant brass. It is suitable for both heating (LPHW) and cooling applications at working pressures up to 232 PSI.

Features:

- A compact body design integrating a fixed orifice and test points permitting high accuracy flow measurement to within +/- 5% regardless of valve setting.
- A metal to metal thread locking mechanism designed to accurately lock valve settings enabling the valve to be closed and re-opened to its exact pre-set position.
- A flip-up cap housing individual Allen key for valve position locking.
- Heat and impact resistant nylon non-rising handle with a 360° re-settable index collar and indicator scale which can be read from any angle.
- An EPDM lined valve plug designed to provide increased control and tight shut-off for isolation purposes.

The CIM 747.1 balancing valve has been tested by BSRIA with water containing high air and dirt levels. Testing results demonstrated an excellent tolerance to such conditions providing confidence that the valves will retain a high level of accuracy and repeatability of flow measurement under even the worst system conditions.

Threading:

NPT threads ANSI B1.20.1.

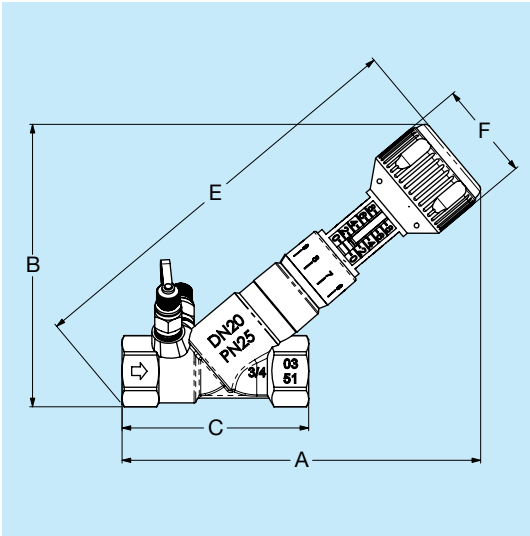
Size	Fast Order No.	Technical ID No.
1/2"	747-04	CIM747-A04HBV
3/4"	747-06	CIM747-A06HBV
1"	747-07	CIM747-A07HBV
1-1/4"	747-08	CIM747-A08HBV
1-1/2"	747-09	CIM747-A09HBV
2"	747-10	CIM747-A10HBV

All Cimberio valves qualify for the American Recovery and Reinvestment Act and the Buy American Act.

Balancing Valve

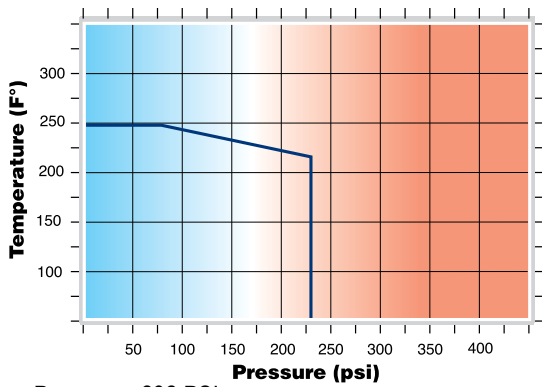
cim747.1

Fixed Orifice with Integral Test Points in CRM - FIPT x FIPT



Size	1/2"	3/4"	1"	1-1/4"	1-1/2"	2"
A	6-3/8" 161mm	7-5/16" 185mm	7-5/16" 186mm	8-1/8" 207mm	10-1/4" 259.5mm	11-1/16" 281mm
B	4-15/16" 125mm	5-3/4" 145.5mm	6-1/4" 158.5mm	6-5/8" 168.5mm	8-3/8" 212mm	9-1/16" 230mm
C	3-3/8" 85mm	3-13/16" 97mm	4-7/16" 113mm	5-11/16" 144mm	6-7/16" 163mm	7-5/8" 193mm
D	9/16" 15mm	5/8" 16.3mm	3/4" 19.1mm	13/16" 21.4mm	13/16" 21.4mm	1" 25.7mm
E	7-1/4" 184.5mm	8-1/2" 215.5mm	8-13/16" 224mm	9-11/16" 245.5mm	12-3/16" 309mm	13-1/4" 337.5mm
F	2-1/16" 52mm	2-1/16" 52mm	2-1/16" 52mm	2-1/16" 52mm	2-1/4" 58mm	2-1/4" 58mm
CH	1-1/8" 28mm	1-5/16" 33mm	1-9/16" 40mm	2" 51mm	2-1/4" 56mm	2-13/16" 71mm
Pounds	1.5	2.05	2.49	3.65	5.43	8.21
Grams	680	930	1130	1655	2465	3725

PRESSURE/TEMPERATURE RATINGS

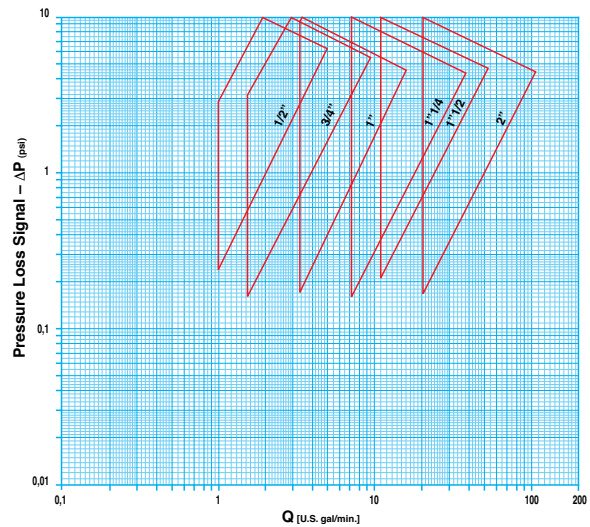


Working Pressure: 232 PSI

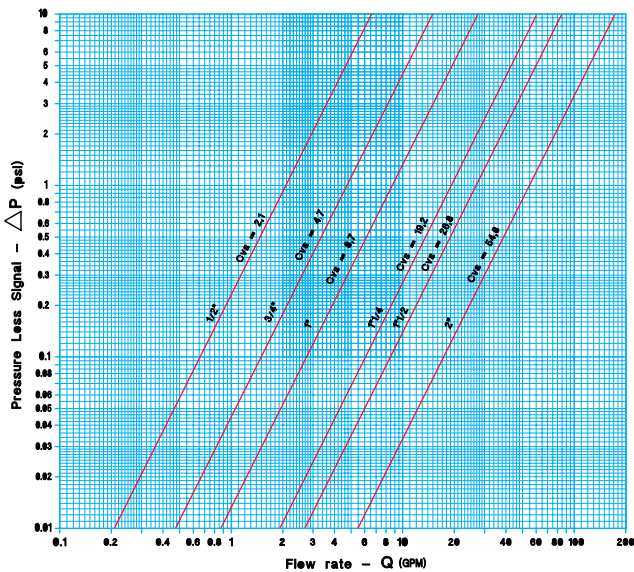
Max. Operating Temperature: Working Limit for Fluids 14° F – 248° F

Test Pressures: According to ISO 5208

OPERATING RANGE



PRESSURE SIGNAL



CV

CV: Capacity in "U.S. gal/min" at pressure drop of "1 PSI"

Element: Water - Temperature: 59.9° F

747.1 SIZE	1/2"	3/4"	1"	1-1/4"	1-1/2"	2"
CV	2.1	4.7	8.7	19.2	26.8	54.8