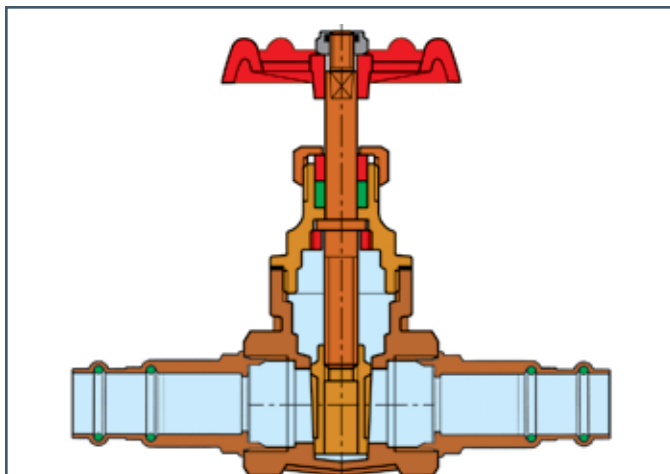
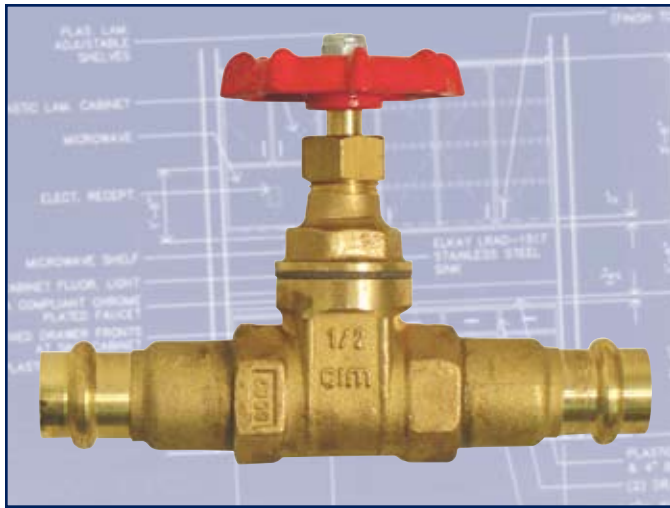


cimPRESS Full Port Gate Valve

cim70PRS.1

CimPRESS x CimPRESS



Materials:

- **Body:** Hot Forged Brass ASTM C37700
- **Stem and Metal Components:** 36600 Bar Stock
- **Packing:** NA 1030 Gr. (Asbestos Free) is Suitable to a Maximum Temperature of 356° F
- **Packing Gland:** AF 15/MA Heat Resistant Fiber, (Asbestos Free) Elastomers, Synthetic Resin and P.T.F.E. It is Suitable to a Maximum Temperature of 482° F
- **Handwheel:** Hard Duraluminum Alloy Epoxy Painted Red RAL 3000 Showing "On-Off"
- **O-Ring:** EPDM - ASTM D 2000 M2

All Cimberio valves qualify for the American Recovery and Reinvestment Act and the Buy American Act.

Applications:

The CIM 70PRS.1 CimPRESS gate valve is manufactured in accordance with MSS-SP-110, PS117-2004, and EN ISO 9001 standards and is designed for direct connection to hard drawn copper and/or stainless steel tube using standard press tools. The CIM 70PRS.1 is suitable for use with non-aggressive fluid applications including residential, industrial, and agricultural systems. (CimPRESS is not intended for use with soft or rolled copper tubing)

Features:

The CIM 70PRS.1 is a full Port 250 WOG gate valve that features a screwed-in bonnet, non-rising stem, and solid wedge disc design.

CimPRESS valves were developed as purpose built valves for standard press attachment to eliminate the need to assemble separate components in the field, which could result in weak/leak points and increased material and labor costs. The CIM 70PRS.1 is manufactured from DZR "CR" corrosion-resistant brass with double EPDM-ASTM D 2000 M2 O-Rings to ensure a leak proof cold crimped seal with added protection against corrosion.

CimPRESS valves eliminate the torch and the need to clean, flux and solder in order to create a permanent watertight valve connection, significantly reducing average installation time while avoiding potential fire risks and other problems associated with sweat connections; saving time and money.

Connection:

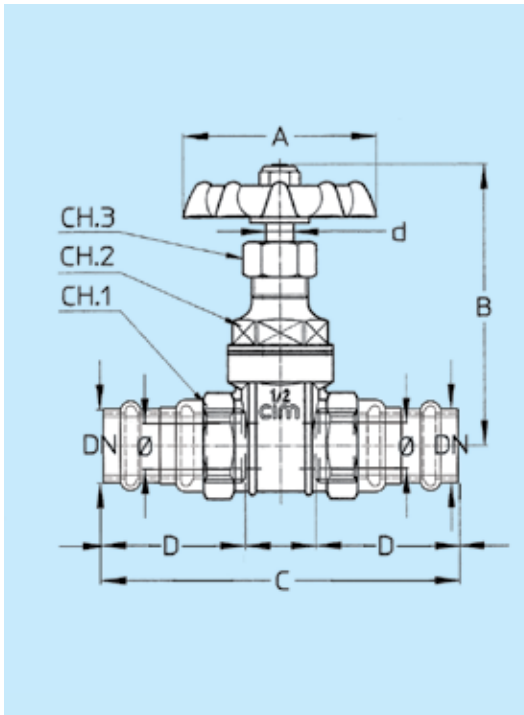
Standard press connection for copper and stainless steel tube plumbing systems.

Size	Fast Order No.	Technical ID No.
1/2"	70PRS-04	CIM70PRS-E04WH
3/4"	70PRS-06	CIM70PRS-E06WH
1"	70PRS-07	CIM70PRS-E07WH
1-1/4"	70PRS-08	CIM70PRS-E08WH
1-1/2"	70PRS-09	CIM70PRS-E09WH
2"	70PRS-10	CIM70PRS-E10WH

cimPRESS Full Port Gate Valve

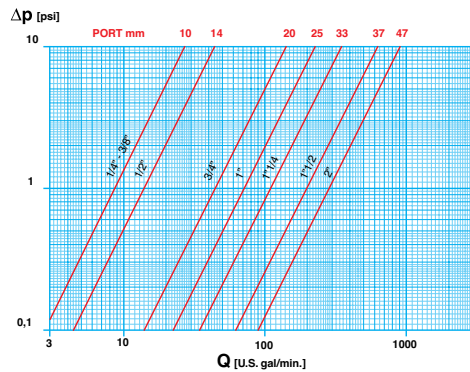
cim70PRS.1

CimPRESS x CimPRESS

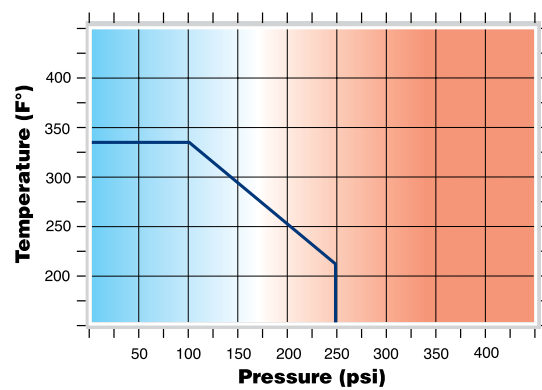


Size Port inch Port mm	1/2" 0.59" 15mm	3/4" 0.79" 20mm	1" 0.98" 25mm	1-1/4" 1.26" 32mm	1-1/2" 1.57" 40mm	2" 1.97" 50mm
A	2-3/16" 55mm	2-3/8" 60mm	2-9/16" 65mm	2-15/16" 75mm	3-1/8" 80mm	3-9/16" 90mm
B	3-1/8" 80mm	3-3/4" 95mm	4" 101mm	4-3/4" 120mm	5-5/16" 135mm	5-15/16" 150mm
C	5-3/4" 146mm	5-7/8" 150mm	6-1/8" 156mm	6-3/8" 162mm	6-1/2" 166mm	6-13/16" 174mm
D	2-1/2" 63mm	2-9/16" 65mm	2-9/16" 66mm	2-11/16" 68mm	2-11/16" 68mm	2-13/16" 72mm
CH1	1-1/16" 27mm	1-3/8" 34mm	1-9/16" 40mm	2" 50mm	2-3/16" 56mm	2-3/4" 69mm
CH2	15/16" 24mm	1-3/16" 30mm	1-1/4" 32mm	1-1/4" 32mm	1-9/16" 39mm	1-7/8" 47mm
CH3	3/4" 18mm	3/4" 18mm	3/4" 18mm	13/16" 21mm	15/16" 23mm	1" 25mm
d	5/16" 8mm	5/16" 8mm	5/16" 8mm	3/8" 10mm	3/8" 10mm	7/16" 12mm
Pounds Grams	0.54 245	0.83 375	1.10 500	1.65 750	2.18 990	3.15 1430
Required Pipe Insertion Depth	1.5580" 39.57mm	1.7380" 44.14mm	1.7310" 43.97mm	1.6975" 43.12mm	1.8895" 47.99mm	2.128" 54.04mm

FLOW AND PRESSURE DROP



PRESSURE/TEMPERATURE RATINGS



CV

CV: Capacity in "U.S. gal/min" at pressure drop of "1 PSI"

Element: Water - Temperature: 59.9° F

70PRS.1 SIZE	1/2"	3/4"	1"	1-1/4"	1-1/2"	2"
Ø mm	14	20	25	33	37	47
Ø inch	0.55	0.79	0.98	1.3	1.46	1.85
CV	13.9	45.5	71.6	110.5	199.5	283.3

Working Pressure: 250 PSI

Integral Seat: In Accordance with Nominal Dimension

Max. Operating Temperature: Working Limit for Fluids 14° F – 212° F

Saturated Steam: 102 PSI at 338° F

Test Pressures: According to ISO 5208