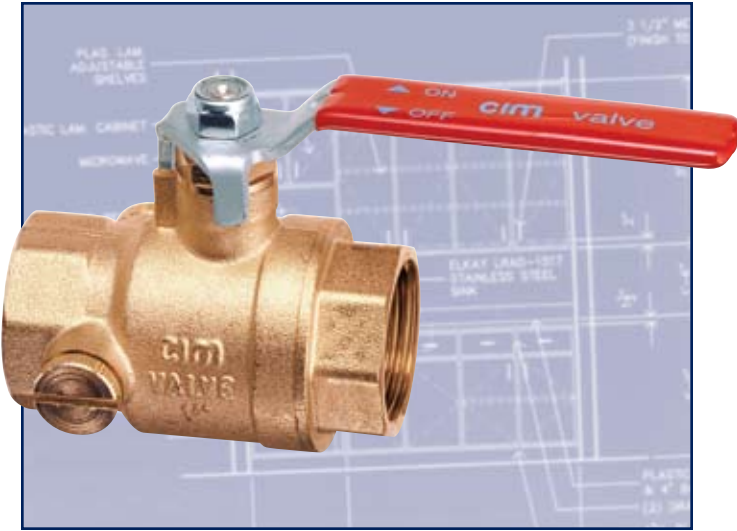


# Full Port Ball Valve w/Dual Side Tap Drains

**cim200MC.1**

FIPT x FIPT



## Applications:

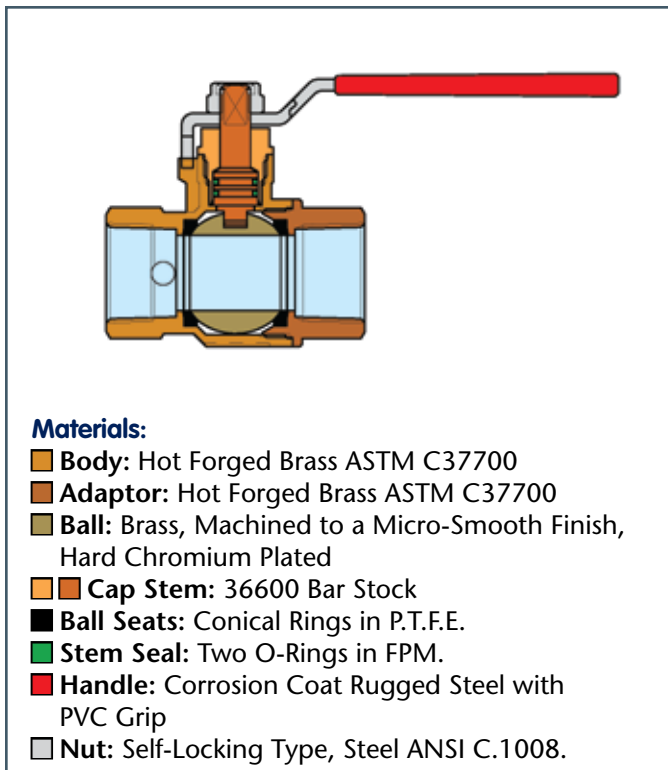
The CIM 200MC.1 ball valve is manufactured in accordance with EN ISO 9001 and is designed with a side tap drain on each side of the valve body. Applications include non-aggressive fluids for residential and commercial plumbing, industrial applications, agricultural systems, pneumatic systems, waterworks, heating, sanitary and hot water services, condensate lines, as well as oil, gasoline and other hydrocarbon services.

## Features:

The CIM 200MC.1 ball valve, which is built from the Cimberio CIM 11 building block, is a full port ball valve built with a heavy pattern body that offers increased thread depth and includes a unique blast proof/impact proof 3 part stem design that allows handle option flexibility. The CIM 200MC.1 ball valve's body features two tap drains on opposite sides of the forged brass valve body.

## Threading:

NPT threads ANSI B1.20.1.



## Materials:

- **Body:** Hot Forged Brass ASTM C37700
- **Adaptor:** Hot Forged Brass ASTM C37700
- **Ball:** Brass, Machined to a Micro-Smooth Finish, Hard Chromium Plated
- **Cap Stem:** 36600 Bar Stock
- **Ball Seats:** Conical Rings in P.T.F.E.
- **Stem Seal:** Two O-Rings in FPM.
- **Handle:** Corrosion Coat Rugged Steel with PVC Grip
- **Nut:** Self-Locking Type, Steel ANSI C.1008.

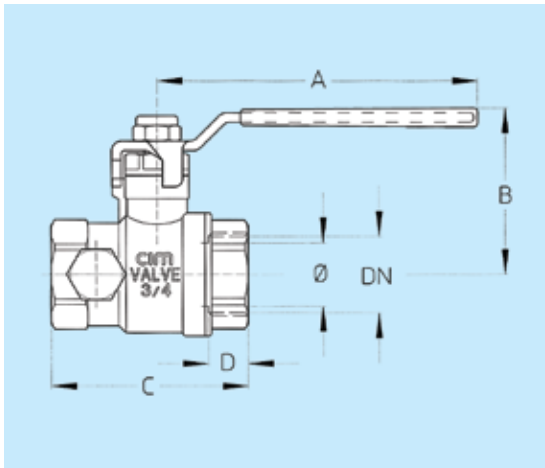
Size	Fast Order No.	Technical ID No.
1/2"	200MC-04	CIM200MC-A04-SD
3/4"	200MC-06	CIM200MC-A06-SD
1"	200MC-07	CIM200MC-A07-SD
1-1/4"	200MC-08	CIM200MC-A08-SD
1-1/2"	200MC-09	CIM200MC-A09-SD
2"	200MC-10	CIM200MC-A10-SD

All Cimberio valves qualify for the American Recovery and Reinvestment Act and the Buy American Act.

# Full Port Ball Valve w/Dual Side Tap Drains

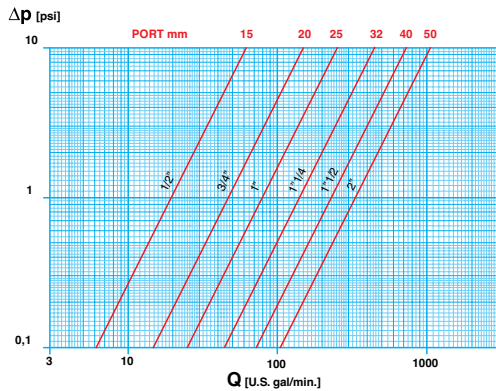
**cim200MC.1**

FIPT x FIPT

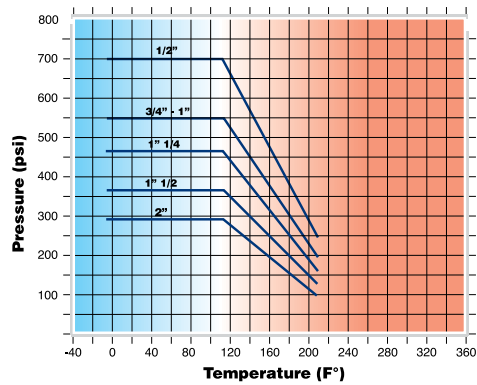


Size Port inch Port mm	1/2" 0.59" 15mm	3/4" 0.79" 20mm	1" 0.98" 25mm	1-1/4" 1.26" 32mm	1-1/2" 1.57" 40mm	2" 1.97" 50mm
A	3-1/8" 80mm	3-15/16" 100mm	3-15/16" 100mm	4-3/4" 120mm	5-9/16" 150mm	5-9/16" 150mm
B	2-1/16" 52mm	2-3/16" 56mm	2-3/8" 60mm	2-7/8" 73mm	3-7/16" 88mm	3-13/16" 96mm
C	2-1/4" 57mm	2-7/16" 62mm	3" 76mm	3-9/16" 91mm	4-1/4" 107mm	4-7/8" 124mm
D	1/2" 12.5mm	1/2" 12.5mm	9/16" 14mm	11/16" 17mm	11/16" 18mm	13/16" 20mm
CH	1" 25mm	1-1/4" 31mm	1-1/2" 38mm	1-7/8" 47mm	2-1/8" 54mm	2-5/8" 66mm
Pounds Grams	0.63 285	0.93 420	1.29 585	1.9 860	2.84 1290	3.95 1790

## FLOW AND PRESSURE DROP



## PRESSURE/TEMPERATURE RATINGS



## CV CM CS MT

**CV:** Capacity in "U.S. gal/min" at pressure drop of "1 PSI"

**CM:** Working Torque in "lb x in"

**CS:** Starting Torque in "lb x in"

**MT:** Torque Breaking Point on the Stem in "lb x in"

**Element:** Water - Temperature: 59.9° F

**Working Pressure:** 1/2" : 696 PSI  
3/4" - 1" : 551 PSI  
1-1/4" : 464 PSI  
1-1/2" : 363 PSI  
2" : 290 PSI

**Max. Operating Temperature:** Working Limit for Fluids -4° F - 212° F

**Test Pressures:** According to ISO 5208

200MC.1	SIZE	1/2"	3/4"	1"	1-1/4"	1-1/2"	2"
	Ø mm	15	20	25	32	40	50
	Ø inch	0.59	0.79	0.98	1.26	1.57	1.97
CV	gal/min	19.7	47.4	78.7	142.3	229.1	335.4
CM	N x m	3	5	6	7	10	13
	lb x in	27	44	53	62	89	115
CS	N x m	6	10	12	14	20	26
	lb x in	53	89	106	124	177	230
MT	N x m	10	24	24	45	80	80
	lb x in	89	213	213	399	709	709